

Wheelock Series MB Motor Bells



K-75-004

Effective: April 2016

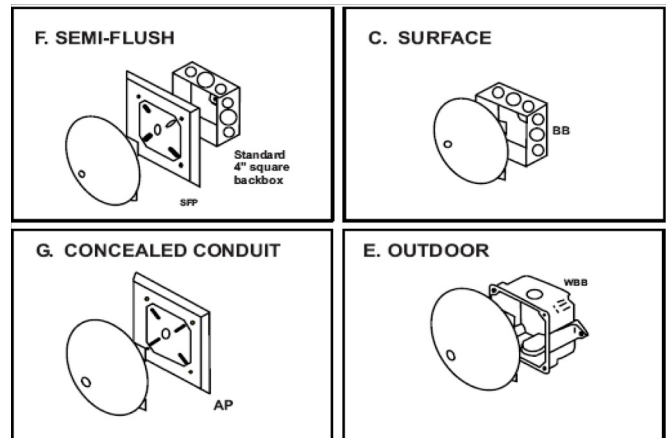
FEATURES

- Approvals include: UL Standard 464, CAN/ULC-S525-07, Factory Mutual (FM), California State Fire Marshal (CSFM), and Chicago (BFP)
- Meets OSHA 29 Part 1910.165
- High sound pressure level (dBA) output
- Low current draw
- Low frequency aluminum shells
- 6 inch and 10 inch shell sizes
- Multiple mounting options: surface, semi-flush, outdoor, and concealed conduit
- Built-in trimplate makes semi-flush mounting simple
- Screw terminals for #12 to #18 AWG wire
- Polarized for DC supervision of NAC circuits



DESCRIPTION

Kidde Fire Systems offers Eaton's Wheelock Series MB 6 in. and 10 in. Motor Bells to provide high quality audible notification for fire alarm and suppression applications. These bells have high dBA levels, low current draws, multiple mounting options, aluminum shells and support 24 VDC applications. The motor in the bells is a durable, high torque permanent magnet motor selected for its high performance and long life.



ORDERING AND TECHNICAL SPECIFICATIONS

Part Number	Shell Size	Input Voltage (VDC)	Maximum Current DC (Amps)	Anechoic dBA at 10 feet (Per ULC)	Reverberant dBA at 10 feet (Per UL 464)		
					Min	Norm	Max
MB-G6-24-R	6 inch	24	0.040	92	82	85	88
MB-G10-24-R	10 inch	24	0.040	92	82	88	91

Note: Refer to datasheet K-75-008 for additional mounting options and dimensions.

The technical data contained herein is limited strictly for informational purposes only. Kidde-Fenwal believes this data to be accurate, but it is published and presented without any guarantee or warranty whatsoever.

All trademarks are the properties of their respective owners.

EXPORT INFORMATION (USA)

Jurisdiction: EAR
US ECCN: EAR99

This literature is provided for informational purposes only. Kidde-Fenwal, Inc. assumes no responsibility for the product's suitability for a particular application. The product must be properly applied to work correctly. If you need more information on this product, or if you have a particular question, contact Kidde-Fenwal, Inc., Ashland, MA 01721 USA.



400 Main Street
Ashland, MA 01721 USA
Tel: 508.881.2000
www.kiddefiresystems.com