

Mechanical Remote Manual Release



P/N: WK-875572-900

Effective: December 2014
B-87-016

FEATURES

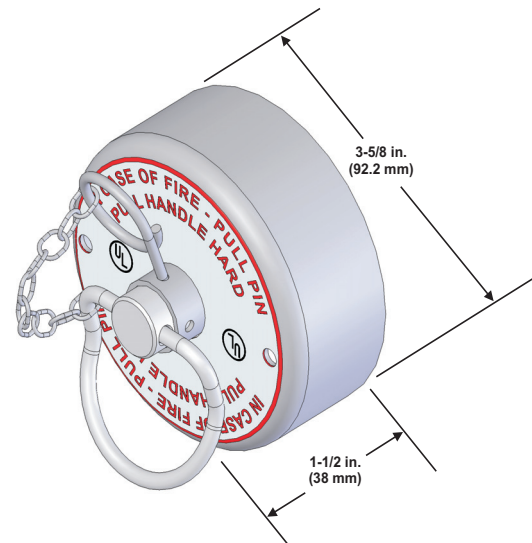
- For Use in:
 - Range Guard® Commercial Cooking Fire Suppression Systems
 - Industry Guard™ Industrial Fire Suppression Systems
- For Use With Badger® UCH Control System
- UL & ULC Listed
- FM Approved for Industry Guard Systems

DESCRIPTION

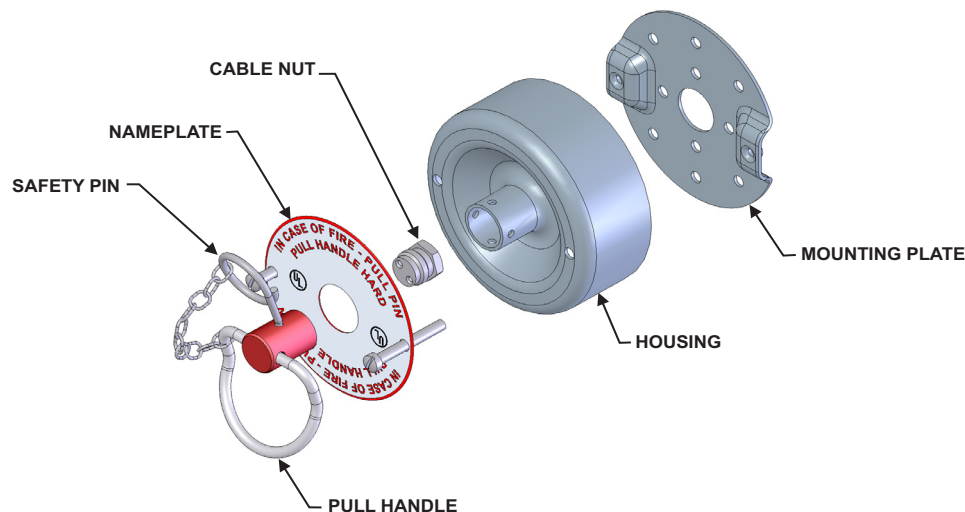
The Mechanical Remote Manual Release is provided as a means of manually actuating the Badger Range Guard or Industry Guard Fire Suppression System from a remote location. This release is installed on the UCH (Universal Control Head) using 1/16-inch Badger control cable, P/N WK-219649-000. The Badger suppression system is actuated by pulling out the safety pin and pulling hard on the handle.

Each Remote Manual Release is supplied with a separate nameplate which must be attached to the mounting surface one inch above or below the device.

Note: A second manual release can be installed on a single UCH line utilizing the Badger tee pulley, P/N 83-843792-000.



Mechanical Remote Manual Release, P/N 875572



Exploded View of Mechanical Remote Manual Release

Badger and Range Guard are registered trademarks of Kidde-Fenwal, Inc.
Range Guard is a registered trademark of Badger Fire Protection.
Industry Guard is a trademark of Badger Fire Protection.



This literature is provided for informational purposes only. BADGER FIRE PROTECTION assumes no responsibility for the product's suitability for a particular application. The product must be properly applied to work correctly. If you need more information on this product, or if you have a particular question, contact BADGER FIRE PROTECTION, Charlottesville, VA 22901. Ph: (434) 964-3200.

Badger Fire Protection
944 Glenwood Station Lane
Suite 303
Charlottesville, VA 22901
Ph: (434) 964-3200
Toll Free: (800) 446-3857
www.badgerfire.com

Kidde Canada, Inc.
340 Four Valley Drive
Vaughan, Ontario L4K 5Z1
Ph: (905) 695-6060
Toll Free: (800) 565-1976
www.kiddecanada.com