

Mechanical Gas Valves



P/N: 60-12007X-001

Effective: November 2012
B-87-022

FEATURES

- **For Use in:**
 - **Range Guard® Commercial Cooking Fire Suppression Systems**
 - **Industry Guard™ Industrial Fire Suppression Systems**
- **For Use with Universal Control Head and A+ Control Box**
- **UL & ULC Listed**
- **FM Approved for Industry Guard Systems**

DESCRIPTION

A Mechanical Gas Valve (Figure 1) is required on systems used to protect gas-fueled equipment (e.g., appliances). Upon system actuation, tension on the control stem is released, closing the valve and stopping gas flow to the equipment.

All Mechanical Gas Valves include an optional cable block (see Figure 2) which can be used to prevent over-extending the valve stem in the open position.

Note: Only Mechanical Gas Valves that are specifically UL listed and identified by part number in this data sheet may be used with the Badger® system.

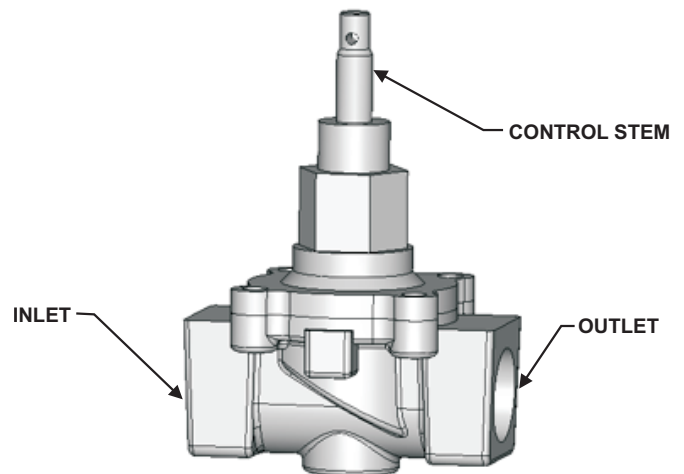


Figure 1. Mechanical Gas Valve, P/N 60-12007X-001

ORDERING INFORMATION

Gas Valves:	
Valve Size	Part Number
3/4 in. (19 mm)	60-120071-001
1 in. (25.4 mm)	60-120072-001
1-1/4 in. (32 mm)	60-120073-001
1-1/2 in. (38 mm)	60-120074-001
2 in. (51 mm)	60-120075-001
2-1/2 in. (64 mm)	60-120076-001
3 in. (76 mm)	60-120077-001
Pulley:	
Double Tee Pulley	83-843792-000

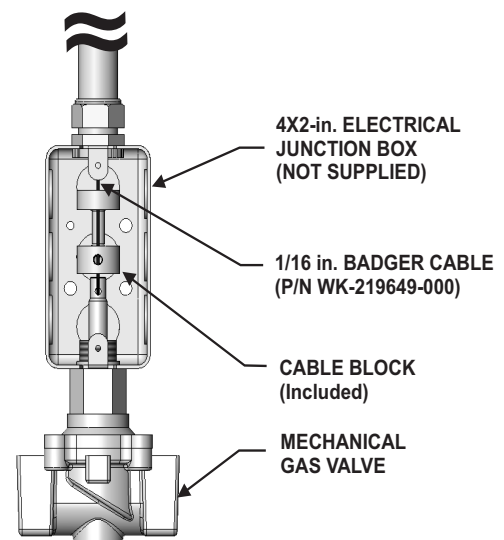


Figure 2. Typical Mechanical Gas Valve Installation

DIMENSIONS

Mechanical Gas Valves can be mounted in any orientation. Refer to Figure 3 and Table 1 below for dimension values.

Table 1: Dimensions for Mechanical Gas Valves

Part Number	NPT	Dimensions (inches)							
		A	B	C	D	E	F (Max.)	G	H
60-120071-001	3/4	3 5/16	1 21/32	3 3/4	4	4 13/16	3/16	1 9/64	2 11/32
60-120072-001	1	5	2 3/8	5 19/32	5 27/32	7 5/32	17/32	2 11/16	5 3/8
60-120073-001	1 1/4			5 21/32	5 51/64				
60-120074-001	1 1/2								
60-120075-001	2	6 3/32	2 13/16	6	6 1/4	7 3/4	39/64	3 5/32	6 5/16
60-120076-001	2 1/2	7 51/64	3 29/32	7 3/8	7 5/8	9 61/64	29/32	4 1/8	7 61/64
60-120077-001	3	7 25/32	3 57/64						

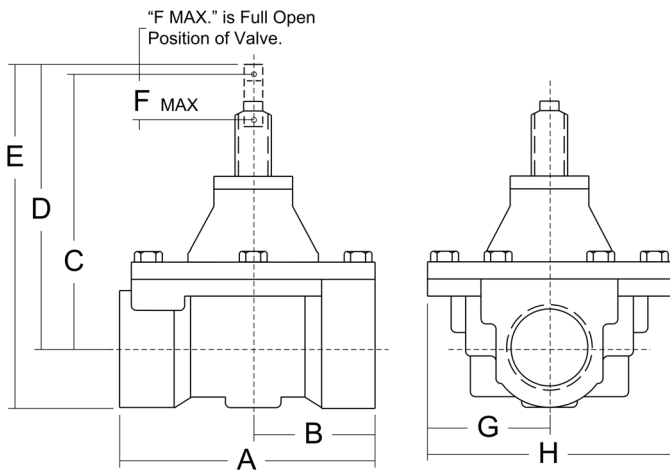


Figure 3. Dimensions of the Mechanical Gas Valve

USE WITH DOUBLE TEE PULLEY

Two mechanical gas valves can be simultaneously operated from a single UCH Control Head connection when used in conjunction with the Double Tee Pulley, P/N 83-843792-000. (See Figure 4.)

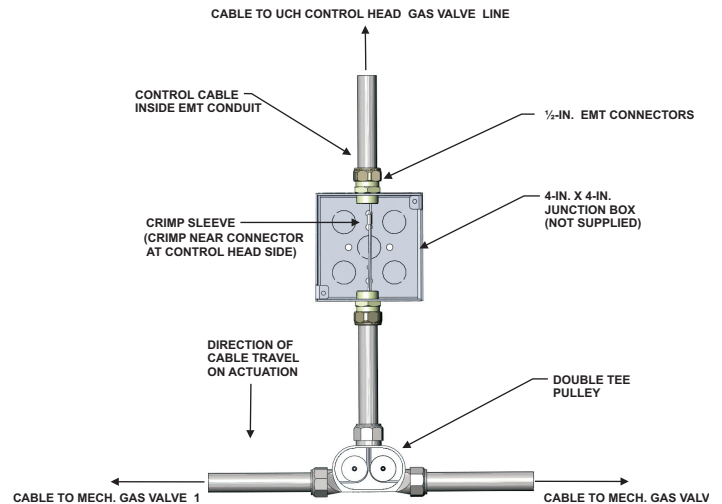


Figure 4. Double Tee Pulley with Two Mechanical Gas Valves (UCH Control Head only)

Badger is a registered trademark of Kidde-Fenwal, Inc.
Range Guard and Industry Guard are trademarks of Badger Fire Protection.



B-87-022 Rev AD

This literature is provided for informational purposes only. BADGER FIRE PROTECTION assumes no responsibility for the product's suitability for a particular application. The product must be properly applied to work correctly.

© 2012 Badger Fire Protection

Badger Fire Protection
944 Glenwood Station Lane
Suite 303
Charlottesville, VA 22901
Ph: (434) 964-3200
Toll Free: (800) 446-3857
www.badgerfire.com

Kidde Canada, Inc.
340 Four Valley Drive
Vaughan, Ontario L4K 5Z1
Ph: (905) 695-6060
Toll Free: (800) 565-1976
www.kiddecanada.com