

Wheelock Notification Appliance Mounting Accessories



K-75-008

Effective: April 2016

DESCRIPTION

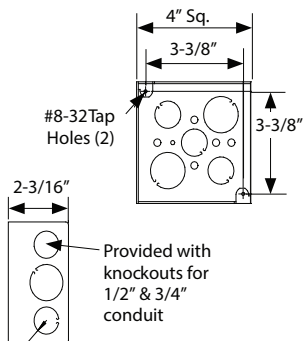
Kidde Fire Systems offers Eaton's Wheelock Notification Appliance Mounting Accessories for use in a large variety of applications.

Note: All mounting plates and backboxes must be ordered separately. Select largest backbox shown in mounting options where possible to provide additional room for easy installation.

(A) DBB Backbox

Standard steel backbox provided with knockouts or interior surface mounting, concealed conduit mounting or semi-flush applications. It is painted to match the signal.

Used with RSS, RSSP, 43T, MB, MT

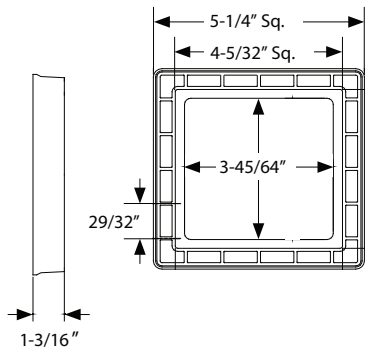


Maximum Number of Conductors

AWG.#18	AWG. #16	AWG. #14	AWG. #12
8	8	8	8

(B) ISP2-R Surface Extender

Used with ET, ET70, MT

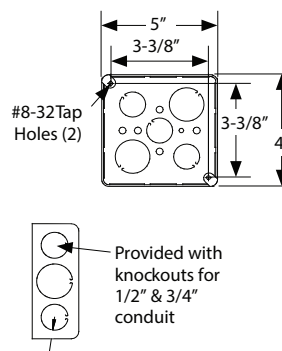


(C) BB Backbox

Standard steel backbox with knockouts for interior surface mounting, concealed conduit mounting or semi-flush applications. It is painted to match the signal.

Used with RSS, RSSP, 43T, MB

Note: When used with AC Horn "BB" must be used for surface mount.



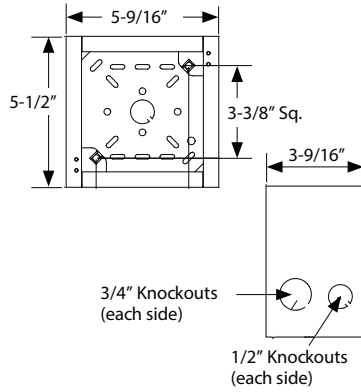
Maximum Number of Conductors

AWG.#18	AWG. #16	AWG. #14	AWG. #12
4	4	4	4

(D) SBB Backbox

For surface mounting speakers, chimes, and electronic applications.

Used with RSS, RSSP, 43T, MB, E70, MT



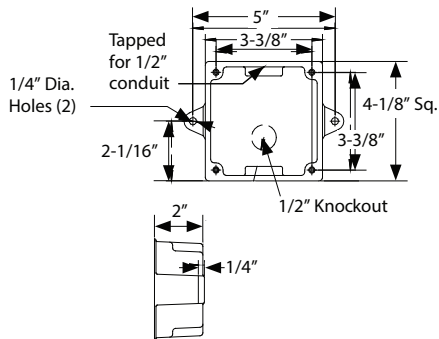
Maximum Number of Conductors

AWG.#18	AWG. #16	AWG. #14	AWG. #12
4	4	4	4

(E) WBB Weather Resistant Backbox

Sturdy die-cast housing, threaded conduit hole and knockout for outdoor applications. It is painted to match the signal.

Used with 43T, MB, RSSWP, MTWP, MT-12/24-R



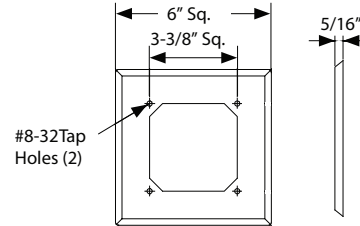
Maximum Number of Conductors

AWG.#18	AWG. #16	AWG. #14	AWG. #12
4	4	4	4

(F) SFP Semi-Flush Plate

Stamped aluminum surface wall plate which mounts behind the basic unit and serves to cover recessed backboxes in semi-flush mounting applications. It is painted to match the signal.

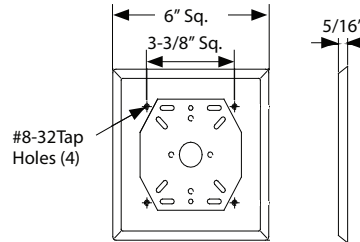
Used with RSS, RSSP, 43T, MB, E70, E90, ET70, MT



(G) AP Adapter Plate

Stamped aluminum adapter plate designed for applications where semi-flush installations cannot be used. The plate can be mounted to standard octagon or round backboxes single or double gang boxes or plaster rings. The backbox and basic unit are then fastened to the plate. This type mounting is referred to as a concealed conduit installation. It is painted to match the signal.

Used with 43T, MB



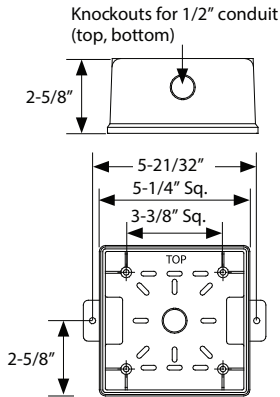
(H) IOB Backbox

For indoor and outdoor surface mount applications.

Used with MT, MTWP, ET70WP

Note: MT or MTWP strobe are for outdoor mounting.

Note: For weatherproof concealed conduit applications also order WP-KIT.

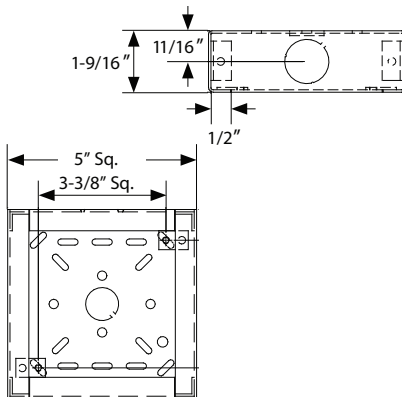


Maximum Number of Conductors

AWG.#18	AWG. #16	AWG. #14	AWG. #12
8	8	8	8

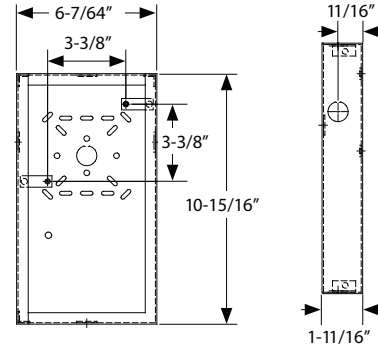
(M) SHBB Surface Backbox

Used with RSS, RSSP, 43T, MB



(N) SBL-2 Surface Backbox

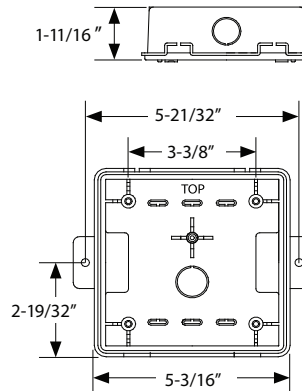
Used with RSS, RSSP, 43T, MB



(R) WPSBB-R

Used with RSSWP

Note: For weatherproof concealed conduit applications also order WP-KIT.

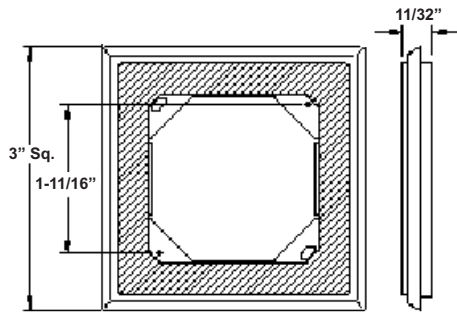


Maximum Number of Conductors

AWG.#18	AWG. #16	AWG. #14	AWG. #12
8	8	8	8

(S) WFP Plate

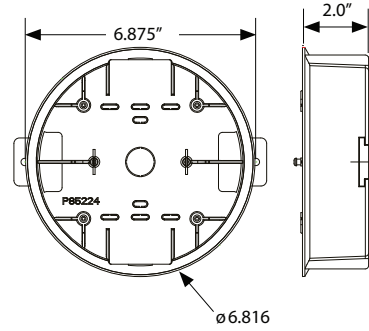
Used with MT, MTWP, ET70WP, RSSWP



(U) ESBC Backbox (Order Codes: Red ESBCR, White ESBCW)

For indoor surface mounting of Exceder products

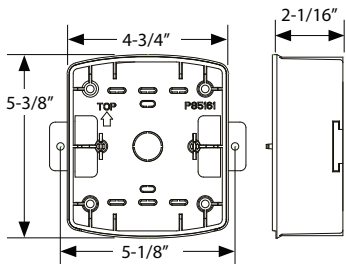
Used with Exceder STC, HSC, HNC



(T) ESB Backbox (Order Codes: Red ESBR, White ESBW)

For indoor surface mounting of Exceder products

Used with Exceder ST, HS, HN



Maximum Number of Conductors			
AWG. #18	AWG. #16	AWG. #14	AWG. #12
4	4	4	4

Maximum Number of Conductors			
AWG. #18	AWG. #16	AWG. #14	AWG. #12
4	4	4	4

ORDERING INFORMATION

Part/Model Number	Application	Description	Designation
AP-R	43T, MB	Concealed Conduit Plate	G
BB-R	RSS, RSSP, 43T, MB	Standard Indoor Backbox	C
DBB-R	RSS, RSSP, 43T, MB, MT	Deep Indoor Backbox	A
ESBR	HNR, HSR, HSR-A, STR, STR-A	Universal Backbox for Exceder Series, Wall Mount, Red	T
ESBW	HNW, HSW, HSW-A, STW, STW-R	Universal Backbox for Exceder Series, Wall Mount, White	T
ESBCR	HNRC, HSRC	Universal Backbox for Exceder Series, Ceiling Mount, Red	U
ESBCW	HNRW, HSWC	Universal Backbox for Exceder Series, Ceiling Mount, White	U
IOB-R	MT, MTWP, ET70WP	Indoor/Outdoor Surface Backbox (Surface Mount, Exposed Conduit)	H
IOB-R + WP-KIT (order separately)	MT, MTWP, ET70WP	Indoor/Outdoor Surface Backbox + Weather Proof Kit (Surface Mount, Concealed Conduit)	H+WP-KIT
ISP2-R	ET, ET70, MT	Indoor Surface Plate	B
SBB-R	RSS, RSSP, 43T, MB, E70, MT	Surface Backbox	D
SBL2-R	RSS, RSSP, 43T, MB	Surface Backbox	N
SFP-R	RSS, RSSP, 43T, MB, E70, E90, ET70, MT	Semi-Flush Plate	F
SHBB-R	RSS, RSSP, 43T, MB	Surface Backbox	M
WBB-R	43T, MB, RSSWP, MTWP, MT12/24	Weatherproof Backbox	E
WFP-R	MT, MTWP, ET70WP, RSSWP	Plate to flush mount weatherproof products	S
WPSBB-R	RSSWP	Weatherproof Backbox (Surface Mount, Exposed Conduit)	R
WPSSB-R + WP-KIT (order separately)	RSSWP	Weatherproof Backbox + Weather Proof Kit (Surface Mount, Concealed Conduit)	R + WP-KIT

The technical data contained herein is limited strictly for informational purposes only. Kidde-Fenwal believes this data to be accurate, but it is published and presented without any guarantee or warranty whatsoever.

All trademarks are the properties of their respective owners.

EXPORT INFORMATION (USA)

Jurisdiction: EAR
US ECCN: EAR99

This literature is provided for informational purposes only. Kidde-Fenwal, Inc. assumes no responsibility for the product's suitability for a particular application. The product must be properly applied to work correctly. If you need more information on this product, or if you have a particular question, contact Kidde-Fenwal, Inc., Ashland, MA 01721 USA.

 **Kidde
Fire Systems**

400 Main Street
Ashland, MA 01721 USA
Tel: 508.881.2000
www.kiddefiresystems.com