

1/2-IN EMT CORNER PULLEY



Effective: March 2015

B-87-101

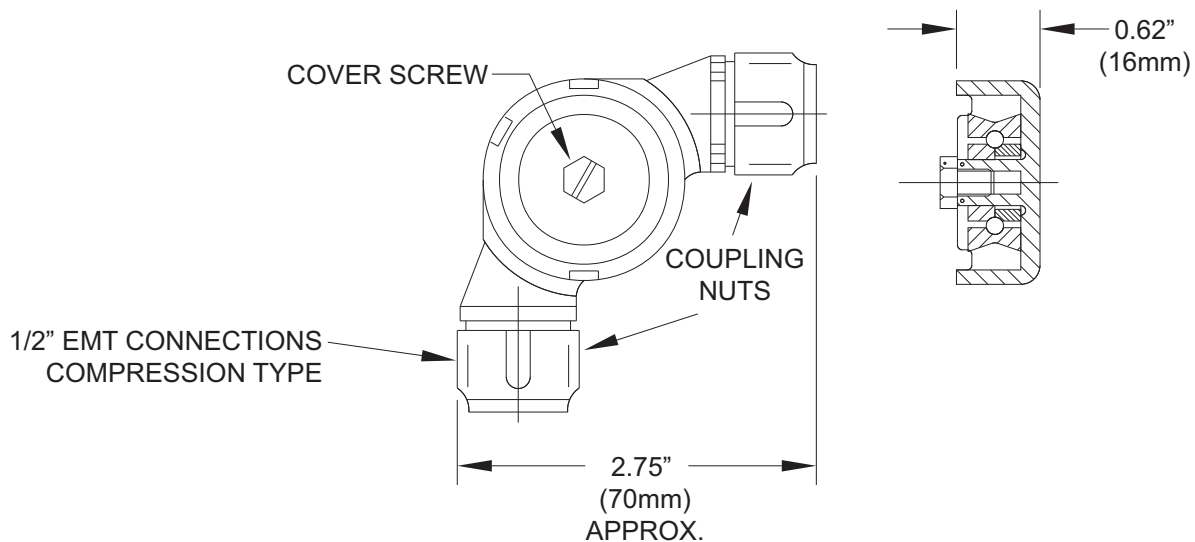
FEATURES

- **For Use in:**
 - **Range Guard® Commercial Cooking Fire Suppression Systems**
 - **Industry Guard™ Industrial Fire Suppression Systems**
- **For Use with Universal Control Head and A+ Control Box***

P/N: WK-844648-900

DESCRIPTION

The Corner Pulley is used to change the direction of the system cable runs. The cable's protective conduit (1/2-inch EMT) is attached to the corner pulley with the provided coupling nuts. The Corner Pulley is equipped with a ball-bearing pulley for minimum resistance to the cable travel.



MATERIALS:

- **Body:** Aluminum
- **Internal Components:** Zinc and Steel

REFERENCE INFORMATION

- Range Guard systems designed and installed in accordance with manual P/N 60-9127100-000
- Industry Guard Industrial systems designed and installed in accordance with manual P/N 60-900000-001
- Industry Guard Vehicle Spray Booth systems designed and installed in accordance with manual P/N 60-900007-001

* A+ Control Box not for use with Industry Guard systems.

Badger is a registered trademark of Kidde-Fenwal, Inc.
Range Guard is a registered trademark of Badger Fire Protection.
Industry Guard is a trademark of Badger Fire Protection.

This literature is provided for informational purposes only. BADGER FIRE PROTECTION assumes no responsibility for the product's suitability for a particular application. The product must be properly applied to work correctly.

Badger Fire Protection
944 Glenwood Station Lane
Suite 303
Charlottesville, VA 22901
Ph: (434) 964-3200
Toll Free: (800) 446-3857
www.badgerfire.com

Kidde Canada, Inc.
340 Four Valley Drive
Vaughan, Ontario L4K 5Z1
Ph: (905) 695-6060
Toll Free: (800) 565-1976
www.kiddecanada.com